

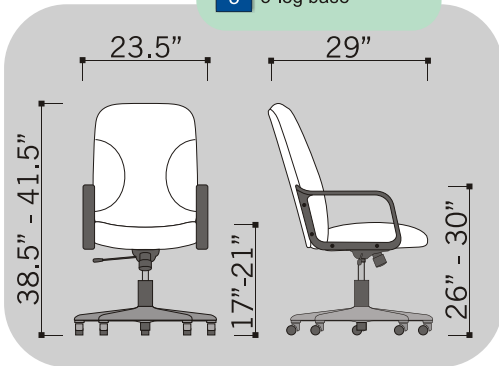


Management 1510 GS

Leather back and contoured seat
 Pneumatic lift and tilt mechanism with tilt tension adjustment and tilt lock in upright position.
 5-legged fibreglass base with casters.
 Durable fixed armrests.



- LU** leather upholstery
- FA** fixed armrests
- 5** 5-leg base



www.standardssystem.com
info@standardssystem.com

Unit 5, 30 Braid Street
 New Westminster, B.C.
 Canada V3L 3P3

Tel: 604-777-0407
 Fax: 604-777-0447

Standard System Limited Warranty

We guarantee all non-moving metal components to be free of material defects and workmanship for a period of ten years from the original purchase date. We will replace any unaltered non-moving metal components which, based upon our examination, proves to be defective. For pneumatic cylinders, wooden and plastic components, casters and upholstery materials, the said warranty shall be for five years. Swivel/tilt mechanisms and bases shall also be for ten years.

This warranty does not cover labour or delivery charges and does not apply to items subjected to abuse, misuse, neglect, alteration, or damage caused by shipment, storage, accident, fire, flood or earthquake.