



2001, 5101 PS SS WP

Body fully upholstered mid back. Contoured "waterfall" style seat cushion. These chairs are not too long from the front to the back, and enough space is left for comfort in the popliteal area.

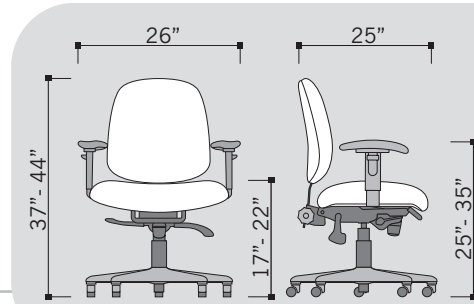
Mechanism provides a unique ride that eliminates the excessive pressure under your legs just behind the knees, which is usually felt on most tilt mechanisms. It comes equipped with a five-position PBR (positive back release) locking device, and pneumatic height adjustment. Several separate back adjustment options and integrated seat slide.

Armrests shall be durable trigger height and width adjustable polyurethane arm pad 4" wide by 8.5" long. Solid 1/4" thick spring steel frame, epoxy powder coated black. Arm height adjustable from seat pan 6.75" to 9.75". Arms width adjustable 1.5" per arm.

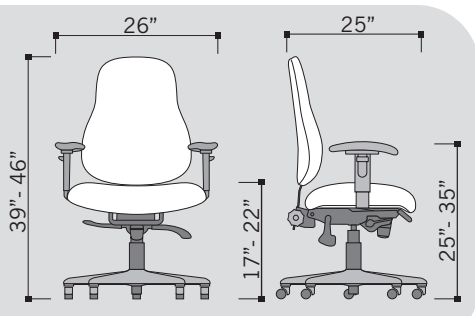
Armrest swivel armrest pivots 45 degrees and can be extended 2" forward and is 11" long to give better wrist support.



2001 PS SS WP



PS	multi/task control mechanism	SS	seat slide control
MB	manual back height adjustment	SW	soft wheels for hard surfaces
35	350 base	G	glide wheels
WP	pivoting-sliding width adjustable armrest	C2	2" carpet casters
T	T - armrest height adjustable	C2.5	2.5" carpet casters
UF	upholstery fabric	C3	3" carpet casters
		CA	antistatic casters for clean applications



5101 PS SS WP

PS	multi/task control mechanism	SS	seat slide control
MB	manual back height adjustment	SW	soft wheels for hard surfaces
35	350 base	G	glide wheels
WP	pivoting-sliding width adjustable armrest	C2	2" carpet casters
T	T - armrest height adjustable	C2.5	2.5" carpet casters
UF	upholstery fabric	C3	3" carpet casters
		CA	antistatic casters for clean applications

Seat slider allows 2.5 inches of total travel with positional lock of .50 inch increments. This adjustment is provided to alter the seat depth position for individual requirements.

Base & casters 5-legged, reinforced molded fibreglass base.

Finish flat black powder coating.

ANSI/BIFMA standards meets ANSI/BIFMA Standards

GSA standards Meets GSA Standards

Additional options:

The backrest may be ordered with **vinyl trim** that protects the fabric as well as other furniture with which the chair may come into contact.

Pneumatic lifts to meet every seat height requirement 80mm; 100mm; 120mm; 200mm; 280mm.

pivoting and sliding adjustment



width adjustment



www.standardsystems.com
info@standardsystems.com

Unit 5, 30 Braid Street
New Westminster, B.C.
Canada V3L 3P3

Tel: 604-777-0407
Fax: 604-777-0447

Standard System Limited Warranty

We guarantee all non-moving metal components to be free of material defects and workmanship for a period of ten years from the original purchase date. We will replace any unaltered non-moving metal components which, based upon our examination, proves to be defective. For pneumatic cylinders, wooden and plastic components, casters and upholstery materials, the said warranty shall be for five years. Swivel/tilt mechanisms and bases shall also be for ten years.

This warranty does not cover labour or delivery charges and does not apply to items subjected to abuse, misuse, neglect, alteration, or damage caused by shipment, storage, accident, fire, flood or earthquake.