



## Q-Rite 4100 QR SS

**Body** fully upholstered high back and seat. Contoured "waterfall" style seat cushion. The seat depth is relatively short yet it provides ergonomic comfort in popliteal area.

**Mechanism** multi/task mechanism.

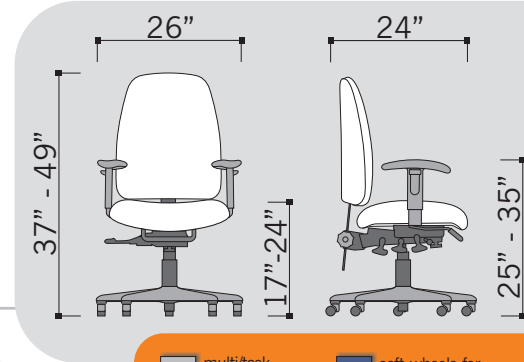
**Finish** flat black powder coating.

**Ergo arms** durable height adjustable polypropylene T-armrests with Structural steel insert.

**Base & Casters** 5-legged reinforced molded fibreglass base.

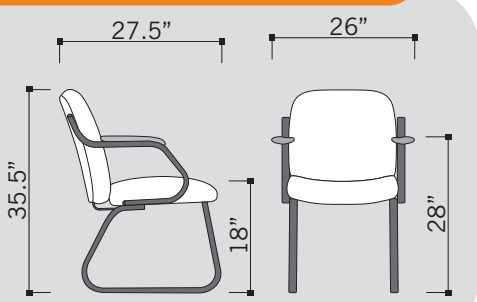
**ANSI/BIFMA standards** meets ANSI/BIFMA Standards

**GSA standards** meets GSA Standards



QR	multi/task control mechanism	SW	soft wheels for hard surfaces
35	350 base	G	glide wheels
T	T-armrest height adjustable	C2	2" carpet casters
UF	upholstery fabric	C2.5	2.5" carpet casters
SS	seat slide control	CA	antistatic casters for clean applications
MB	manual back height adjustment		

S	sled base	UF	upholstery fabric
FP	fixed polypropylene armrest		



## Client 1202 PU

**Body** fully upholstered back piece and seat.

**Finish** flat black powder coating.

**Ergo arms** fixed polypropylene armrests.

**Base** sled base made of steel finished with black powder coating.

**ANSI/BIFMA standards** meets ANSI/BIFMA Standards

**GSA standards** meets GSA Standards



### Standard System Limited Warranty

We guarantee all non-moving metal components to be free of material defects and workmanship for a period of ten years from the original purchase date. We will replace any unaltered non-moving metal components which, based upon our examination, proves to be defective. For pneumatic cylinders, wooden and plastic components, casters and upholstery materials, the said warranty shall be for five years. Swivel/tilt mechanisms and bases shall also be for ten years.

This warranty does not cover labour or delivery charges and does not apply to items subjected to abuse, misuse, neglect, alteration, or damage caused by shipment, storage, accident, fire, flood or earthquake.

www.standardsystems.com  
info@standardsystems.com

Unit 5, 30 Braid Street  
New Westminster, B.C.  
Canada V3L 3P3

Tel: 604-777-0407  
Fax: 604-777-0447