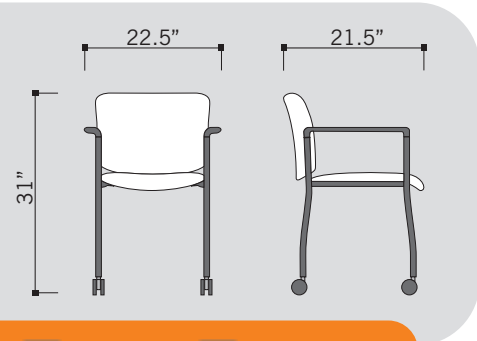




Standard Systems

seating distribution



7502 CA

Body upholstered back piece and contoured seat cushion with "waterfall" style edge both made of 1/2" veneer, covered with 2" / 2.5 lb high density foam and upholstered.

Finish flat black powder coating.

Ergo arms durable polypropylene armrests optimal for stacking.

Base 4-legged stackable base with 3" multipurpose casters made of 14 GA steel tubing finished with black powder coating.

ANSI/BIFMA standards meets ANSI/BIFMA Standards

GSA standards Meets GSA Standards

- 4** 4-leg base
- UF** upholstery fabric
- PP** polypropylene armrest
- C3** 3" multipurpose casters
- NA** no arms



7502

Body upholstered back piece and contoured seat cushion with "waterfall" style edge both made of 1/2" veneer, covered with 2" / 2.5 lb high density foam and upholstered.

Finish flat black powder coating.

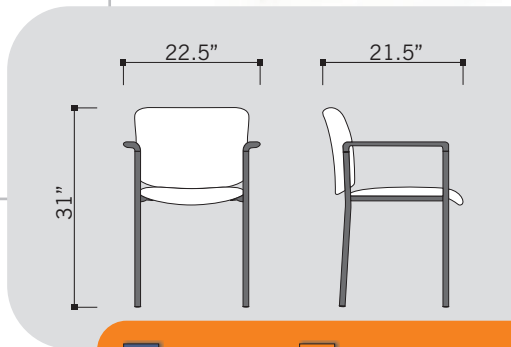
Ergo arms durable polypropylene armrests optimal for stacking.

Base & casters 4-legged stackable base made of 14 GA steel tubing finished with black powder coating.

Dollie aluminium width adjustable frame to support 6 chairs.

ANSI/BIFMA standards meets ANSI/BIFMA Standards

GSA standards Meets GSA Standards



- 4** 4-leg base
- UF** upholstery fabric
- PP** polypropylene armrest
- NA** no arms

7502 NA

www.standardsystems.com
info@standardsystems.com

Unit 5, 30 Braid Street
New Westminster, B.C.
Canada V3L 3P3

Tel: 604-777-0407
Fax: 604-777-0447

Standard System Limited Warranty

We guarantee all non-moving metal components to be free of material defects and workmanship for a period of ten years from the original purchase date. We will replace any unaltered non-moving metal components which, based upon our examination, proves to be defective. For pneumatic cylinders, wooden and plastic components, casters and upholstery materials, the said warranty shall be for five years. Swivel/tilt mechanisms and bases shall also be for ten years.

This warranty does not cover labour or delivery charges and does not apply to items subjected to abuse, misuse, neglect, alteration, or damage caused by shipment, storage, accident, fire, flood or earthquake.