



9902

9902

Body open mesh back supported by molded polypropylene with fiberglass structure.

Finish flat silver powder coating.

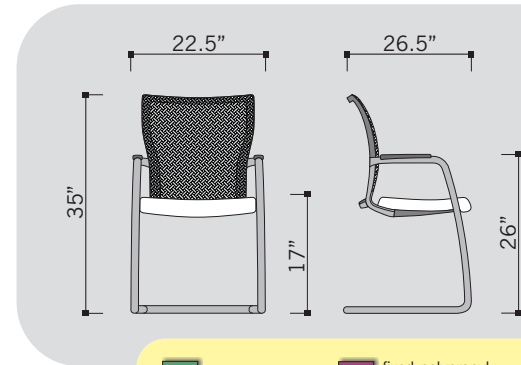
Seat the seat is constructed of dual curve veneer covered with CFC free fire retardant high resilient molded dual density polyurethane foam covered with ultra leather.

Ergo arms durable fixed polypropylene armrests.

Base stackable sled base made of steel tube.

ANSI/BIFMA standards meets ANSI/BIFMA Standards.

GSA standards meets GSA Standards.



S sled base

PP fixed polypropyl. armrests

LU leather upholstery

9904 BT

Body open mesh back supported by molded polypropylene with fiberglass structure attached to cast aluminum mechanism.

Seat the seat is constructed of dual curve veneer covered with CFC free fire retardant high resilient molded dual density polyurethane foam covered with ultra leather.

Mechanism back tilt control mechanism with pneumatic height adjustment.

Chair frame shall be 16 gauge, 7/8\" steel tube frame with kick back legs for stability. Frame can be either chrome plated or finished in textured powder coat paint.

Ergo arms glass-filled nylon, black in colour, optimal for nesting.

Base 4 legged nesting base made of steel tubing that can be stacked horizontally.

ANSI/BIFMA standards meets ANSI/BIFMA Standards.

GSA standards meets GSA Standards.

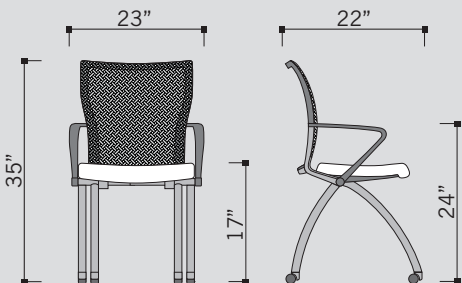
9904 BT



9904 BT

- BT** back tilt control
- HST** horizontal stackable base
- G** glide wheels
- C2** 2\" carpet casters
- PP** fixed polypropyl. armrests
- NA** no arms
- UF** upholstery fabric

9904 BT



Standard System Limited Warranty

We guarantee all non-moving metal components to be free of material defects and workmanship for a period of ten years from the original purchase date. We will replace any unaltered non-moving metal components which, based upon our examination, proves to be defective. For pneumatic cylinders, wooden and plastic components, casters and upholstery materials, the said warranty shall be for five years. Swivel/tilt mechanisms and bases shall also be for ten years.

This warranty does not cover labour or delivery charges and does not apply to items subjected to abuse, misuse, neglect, alteration, or damage caused by shipment, storage, accident, fire, flood or earthquake.

www.standardssystem.com
info@standardssystem.com

Unit 5, 30 Braid Street
 New Westminster, B.C.
 Canada V3L 3P3

Tel: 604-777-0407
 Fax: 604-777-0447